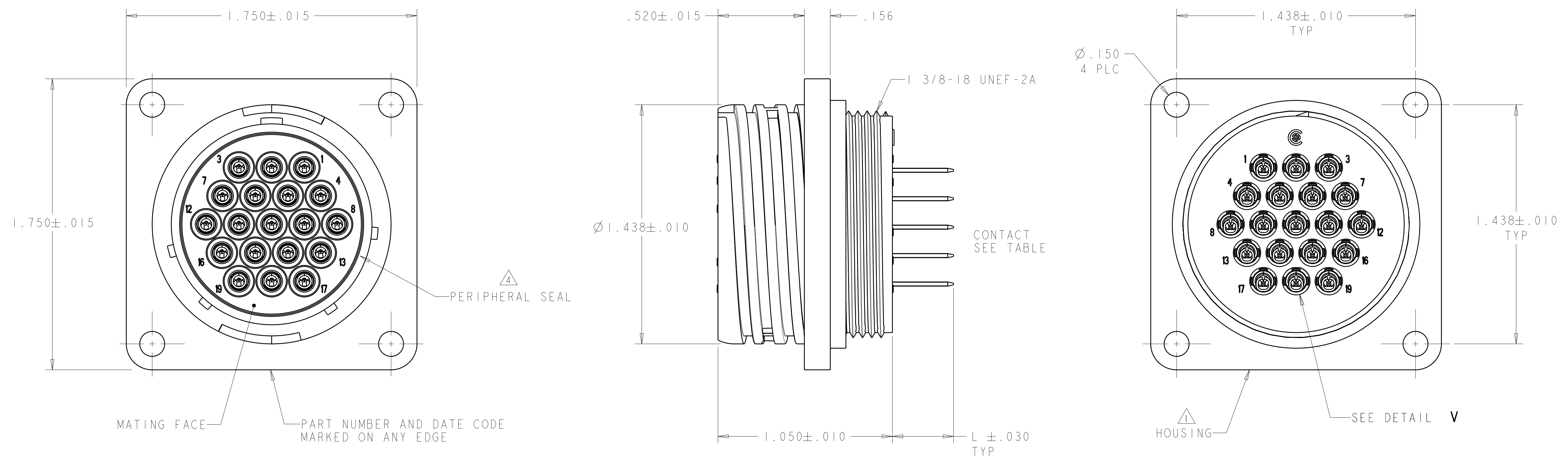


LOC	DIST	REV	DATE	BY	APPD
FT	0				
REVISIONS					
K		REVISED ECO-06-010322	03MAY2006	SW	SH
L		REVISED ECO-06-011207	15MAY2006	SW	SH
M		REVISED PER ECO-07-005904	23MAR2007	SS	SH
MI		REVISED PER ECO-09-025699	10DEC09	KK	AEG



- △ HOUSING: NYLON, UL 94 V-0 RATED, COLOR: BLACK.
- △ CONTACT:
 BODY - BRASS, .000030 MIN GOLD FOR A LENGTH OF .200 MIN FROM MATING END, GOLD FLASH ON REMAINDER, BOTH OVER .000050 MIN NICKEL.
 POST - BRASS, .000100 MIN TIN-LEAD OVER .000050 MIN NICKEL.
- △ CONTACT:
 BODY - BRASS, .000100 MIN TIN-LEAD OVER .000050 MIN NICKEL.
 POST - BRASS, .000100 MIN TIN-LEAD OVER .000050 MIN NICKEL.
- △ PERIPHERAL SEAL: ELASTOMER, COLOR: GRAY.
- △ .009 MAXIMUM CONTACT LEAD-IN SEAM GAP PERMISSIBLE ON MATING FACE END.
- △ CONTACT:
 BODY - BRASS, .000030 MIN GOLD OVER .000030 MIN NICKEL.
 POST - BRASS, .000100 MIN TIN-LEAD OVER .000050 MIN NICKEL.
- △ CONTACT:
 BODY - BRASS, .000100 MIN TIN OVER .000050 MIN NICKEL.
 POST - BRASS, .000100 MIN TIN OVER .000050 MIN NICKEL.
- △ CONTACT:
 BODY - BRASS, .000030 MIN GOLD FOR A LENGTH OF .200 MIN FROM MATING END, GOLD FLASH ON REMAINDER, BOTH OVER .000050 MIN NICKEL.
 POST - BRASS, .000100 MIN TIN OVER .000050 MIN NICKEL.
- △ OBSOLETE PARTS: OBSOLETE CIS STREAMLINING PER D.RENAUD/D.SINISI

	YES	.368	△ 8	1-4, 7, 8, 10-12, 14-19	1-213781-0
	NO	.557	△ 8	ALL	213781-9
PRELIMINARY	NO	.348	△ 7	ALL	213781-8
△ OBSOLETE	YES	.368	△ 7	1-4, 7, 8, 10-12, 16-19	213781-7
	YES	.368	△ 6	1-4, 7, 8, 10-12, 16-19	213781-6
PRELIMINARY	YES	.368	△ 3	1-4, 7, 8, 10-12, 16-19	213781-5
PRELIMINARY	YES	.368	△ 3	1-4, 7, 8, 10-12, 16-19	213781-4
	YES	.368	△ 3	1-4, 7, 8, 10-12, 16-19	213781-2
	NO	.557	△ 2	ALL	213781-1
PERIPHERAL SEAL	L		CONTACT FINISH	SELECT LOADED IN POSITIONS	PART NUMBER

DIMENSIONS: INCHES TOLERANCES UNLESS OTHERWISE SPECIFIED: 9 PLC ±.0005 1 PLC ±.0010 2 PLC ±.0015 3 PLC ±.0020 4 PLC ±.0030 ANGLES ±.0000		DWN S. WELDON 21MAY2003 CHK S. HEADER 21MAY2003 APVD S. HEADER 21MAY2003		Tyco Electronics Harrisburg, PA 17105-3608	
MATERIAL: - FINISH: -		PRODUCT SPEC: 108-10024 APPLICATION SPEC: 114-10038		NAME: RECEPTACLE ASSEMBLY, POSTED, REVERSE SEX, SERIES 1, 23-19, CPC SIZE: A1 CAGE CODE: 00779 DRAWING NO: C=213781	
CUSTOMER DRAWING		WEIGHT: -		RESTRICTED TO: -	
		SCALE: 3:1		SHEET 1 OF 2	

